


Noise reducing housing

The following information is supplementary to the device installation and operating instructions.

As a general rule, the installation and operating instructions for the device must also be observed. These instructions include important information such as safety instructions and information on the setup, electrical connections, disinfection process, cleaning process etc.

 Only qualified specialists or employees trained by Dürr Dental are permitted to install, connect and start using the unit.

Scope of delivery

The following items are included in the scope of delivery (possible variations due to country-specific requirements and/or import regulations):

Noise reducing housing 712220000

– Noise reducing housing

– Intake pipe

– Installation frame for display panel

– Installation information

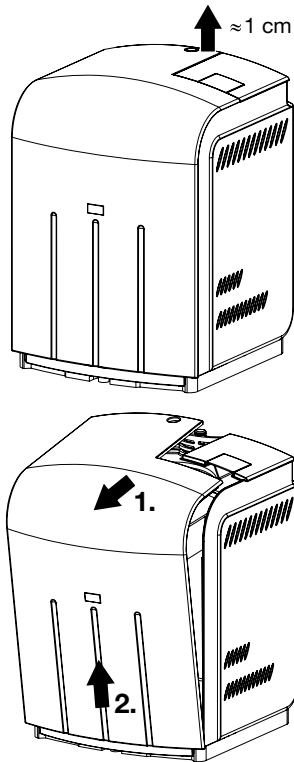
Accessories

The following articles are necessary for the operation of the unit, depending on the application:

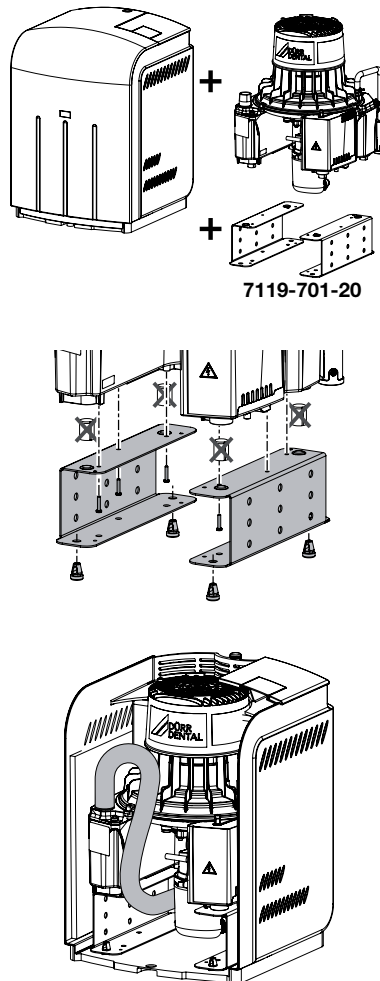
Condensate separation kit for housing 7119-701-20



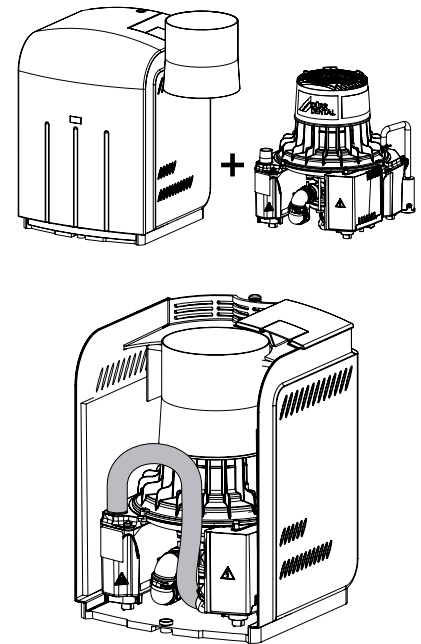
1 Opening the noise reducing housing

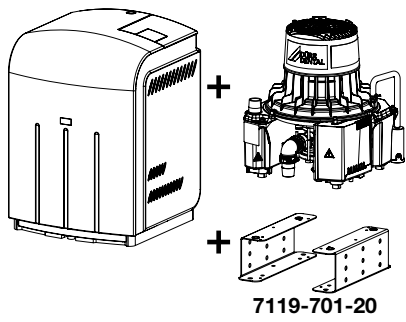


2 V 300 S

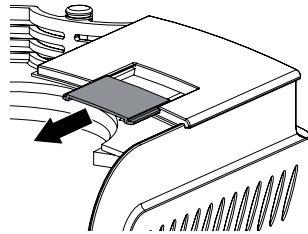


3 VS 300 S

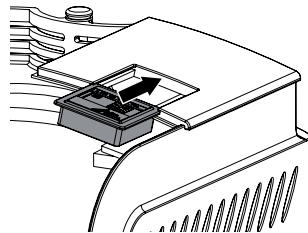
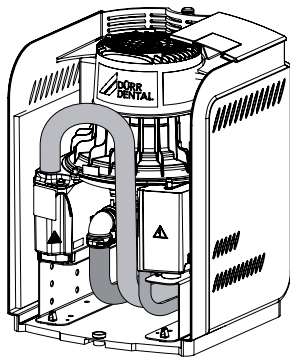
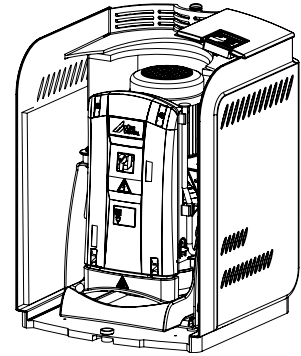
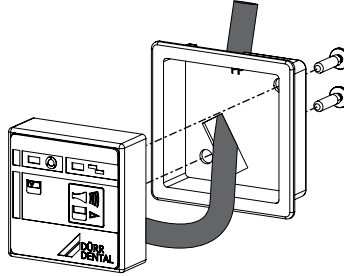
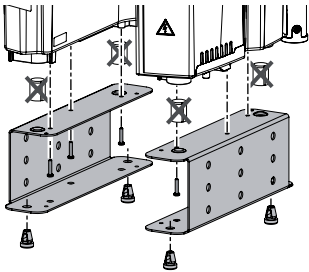
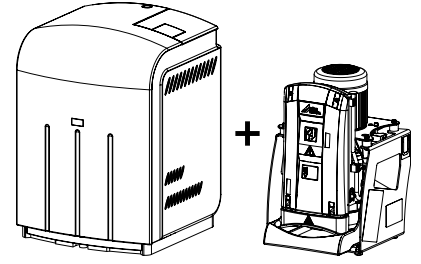




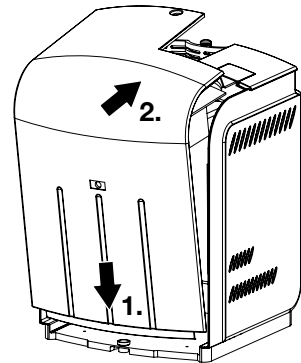
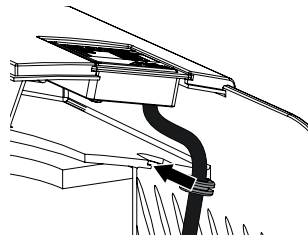
4 Display panel



6 CA 4



7 Closing the noise reducing housing



5 VSA 300 S

